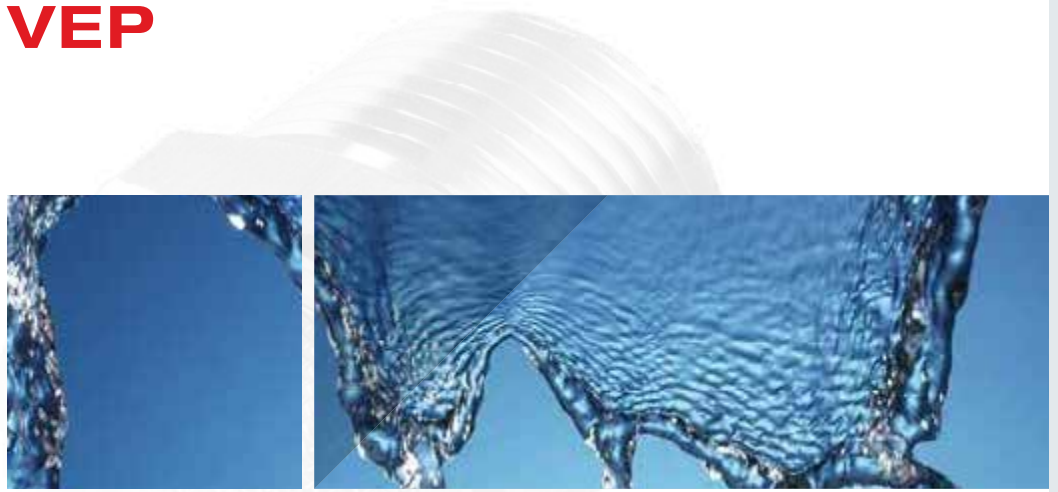


# VENT PROTECTOR FITTINGS

## VEP



## DESCRIPTION

The Vent Protector Fitting (VEP) is used to protect tubes that are exposed to atmospheric pressure, instruments that are open to atmospheric pressure and every tube outlet that is open to atmospheric pressure.

## CLEANING & PACKAGING

Every VEP is cleaned in accordance with Standard Cleaning and Packaging (procedure 8184).

## TESTING

The VEP designs have been tested for Proof, Burst and Leakage. Every VEP is factory tested for proper assembly.

MATERIALS OF CONSTRUCTION			
No.	Components	Qty	Material
1	Vent Fitting Filter Body	1	St.St. 316
2	Vent Fitting Filter Grid 40 Mesh	1	St.St. 316
3	Spring clip 20 DIN472	1	St.St.

## METHOD OF OPERATION

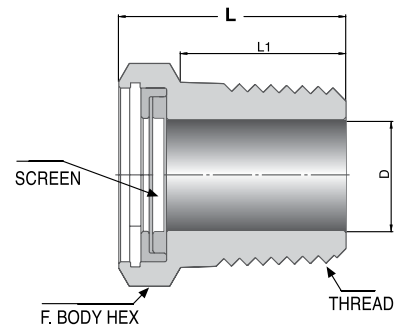
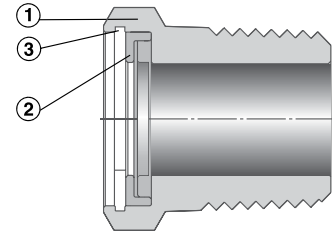
The end of the fitting has a filter screen of 40 mesh, made of 316 St.St.

This screen prevents foreign objects such as insects, from entering the system and causing damage.

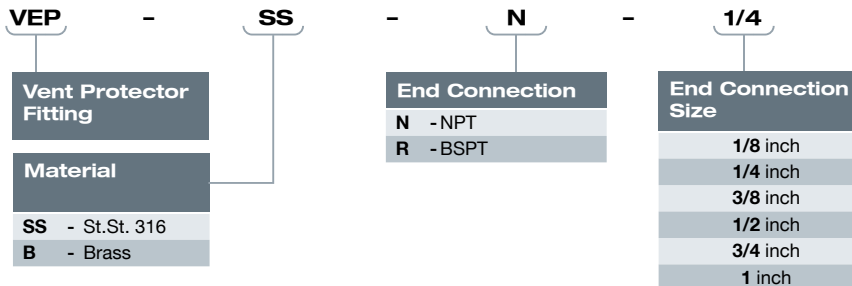
This fitting is available in 316 st.st and in brass, in sizes from 1/8" to 1".

The threads are NPT, BSPT or others, according to request.

STANDARD CONFIGURATION DIMENSIONS									
Description	T Thread	L		L1		D Min Opening		F	
		in	mm	in	mm	in	mm	in	mm
VEP-SS-N-1/8	1/8	0.56	14.22	0.38	9.65	0.19	4.82	1/2	12.7
VEP-SS-N-1/4	1/4	0.78	19.81	0.56	14.22	0.28	7.11	9/16	14.3
VEP-SS-N-1/2	1/2	1.03	26.16	0.75	19.05	0.50	12.7	7/8	22.2
VEP-SS-N-3/8	3/8	0.81	20.57	0.56	14.22	0.41	10.41	11/16	17.5
VEP-SS-N-3/4	3/4	1.06	26.92	0.75	19.05	0.72	18.28	1-1/16	27.0
VEP-SS-N-1"	1	1.34	34.03	0.94	23.87	0.88	22.35	1-3/8	34.9



## ORDERING INFORMATION



### Warning!

The system designer and user have the sole responsibility for selecting products suitable for their special application requirements, ensuring their safe and trouble-free installation, operation, and maintenance. Application details, material compatibility and product ratings should all be considered for each selected product. Improper selection, installation or use of products can cause property damage or personal injury.

VEP, Rev 07. January 2014